



**CONTROL
FLOW
INC.** ®

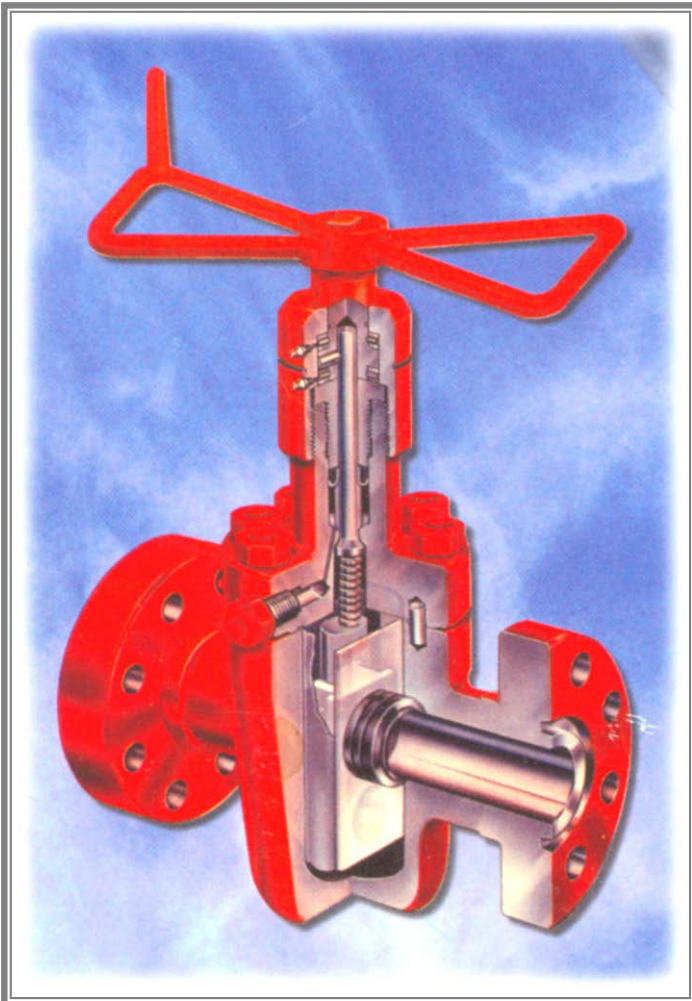


FLOCON MO-COMP WESTECH RETSCO

Gate Valves

A proven approach to dependable sealing, corrosion resistance, long life, and ease of operation.

A full line of standard and severe service *Gate Valves*, including manual, and hydraulically operated gate valves, surface safety valves, and full bore diverter valves complimenting a full range of industry standard sizes, and operational pressure ranges. API approved for severe services such as choke-and-kill manifolds, and Christmas trees utilizing the newest, proven, technologies in the most critical sealing surfaces of the gate and seats.



PRODUCT FEATURES

- Hard-faced, alloy steel gate.
- Tungsten carbide coated seats.
- Holds pressure from either direction.
- Venting prevents valve damage.
- Stress on the stem is minimal.
- Gate guides keep body cavity clear.
- Heat-treated alloy steel body.

See reverse side for standard sizes.

**Control
Flow/Flocon**

Products

Taming Drilling And Production Pressures Worldwide

Contact a Control Flow, Inc. sales representative for further detailed information

Control Flow, Inc. • 9201 Fairbanks N. Houston Rd. • Houston, Texas 77064-6206 • Phone (281) 890-8300

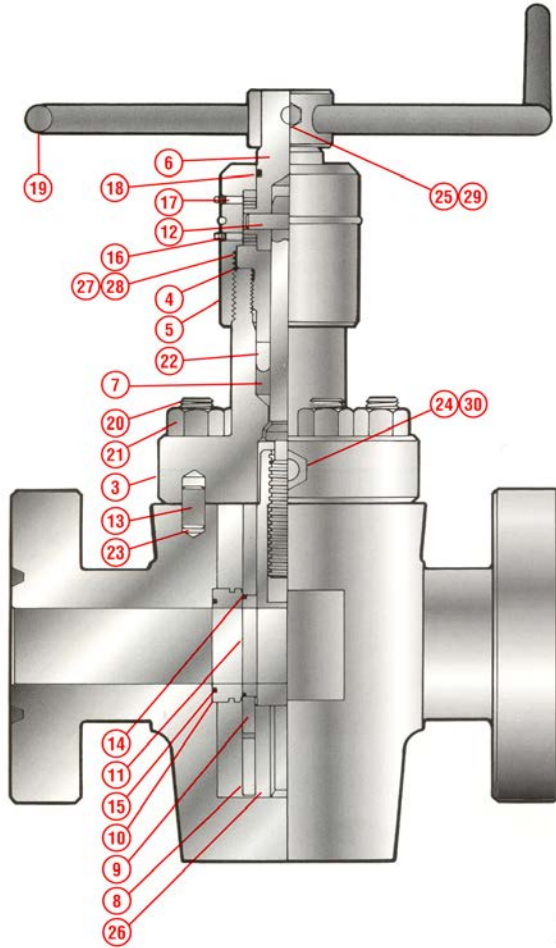
Fax (281) 890-3947 • E-mail: sales@controlflow.com • Web: www.controlflow.com

Copyright Control Flow, Inc. 2008

ASSEMBLY PART NUMBERS FOR TYPE BW HANDWHEEL OPERATED GATE VALVES



**CONTROL
FLOW
INC.**



Part
3. Bonnet
4. Packing Gland
5. Bearing Cap
6. Stem Adapter
7. Stem
8. Retainer Plate
9. Gate
10. Body Bushing
11. Seat Ring
12. Stem Pin
13. Bonnet Gasket
14. Seal Ring, Seat
15. Seal Ring, Body Bushing
16. "O" Ring, Bearing Cap
17. Grease Fitting
18. "O" Ring, Stem Adapter
19. Handwheel
20. Stud, Tap End
21. Nut, Bonnet
22. Stem Packing
23. Alignment Pin
24. Injector Plug
25. Bolt, Hex, Head
26. Gate Guide
27. Bearing, Thrust
28. Race, Thrust Bearing
29. Nut, Hex
30. Check Valve

*12 Required **16 Required

Assembly Part Numbers For Type BW Handwheel Operated Gate Valves

Size & Pressure Rating Flanged Ends	T-2 Trim w/ Standard Ring Grooves
1 ¹³ / ₁₆ "-10000	564850
1 ¹³ / ₁₆ "-15000	565100
2 ¹ / ₁₆ "-5000	564200
2 ¹ / ₁₆ "-10000	564350
2 ¹ / ₁₆ "-15000	565150
2 ⁹ / ₁₆ "-5000	564750
2 ⁹ / ₁₆ "-10000	564800
2 ⁹ / ₁₆ "-15000	565200
3 ¹ / ₈ "-3000	565000
3 ¹ / ₈ "-5000	564250
3 ¹ / ₁₆ "-10000	564400
3 ¹ / ₁₆ "-150000	565250
4 ¹ / ₁₆ "-3000	565050
4 ¹ / ₁₆ "-5000	564300
4 ¹ / ₁₆ "-10000	564450
4 ¹ / ₁₆ "-15000	565300
7 ¹ / ₁₆ "-2000	564600
7 ¹ / ₁₆ "-3000	564650
7 ¹ / ₁₆ "-5000	564700