



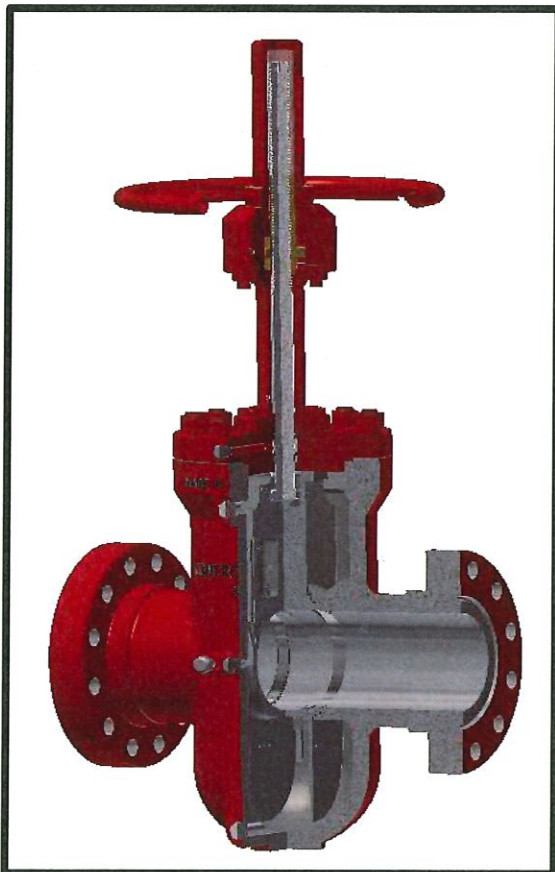
CONTROL FLOW INC. [®]



FLOCON MO-COMP **WESTECH** RETSCO

TYPE "E" EXPANDING GATE AND TYPE "S" SOLID GATE PIPELINE VALVES

The Control Flow, Inc. Pipeline and Storage Cavern Valves offer a proven approach to dependable sealing, corrosion resistance, long life, and ease of operation utilizing choice of either an expanding or solid gate design matched to your specific need and application:



PRODUCT FEATURES/BENEFITS

- * Made In The USA For Quality Material And Product
- * Meets All Requirements Of API 6D
- * Bi-Directional Sealing Reliability For Oil And Gas Applications
- * Rugged Cast Steel Body For Reliability And Reduced Cost
- * Both TFE-To-Metal And Metal-To-Metal Seats Seals Assure Tight Reliable Sealing
- * Choice Of Either Parallel Expanding Or Solid Gates Provide Flexibility And Choice For Application
- * ENP Gates Provides Reliable Long Life Service In -20° to 350° F Service (-29 to 177° C)
- * Readily Adaptable To Hydraulic Or Pneumatic Or Manual Bevel Gear Operators

Control Flow/Flocon Products

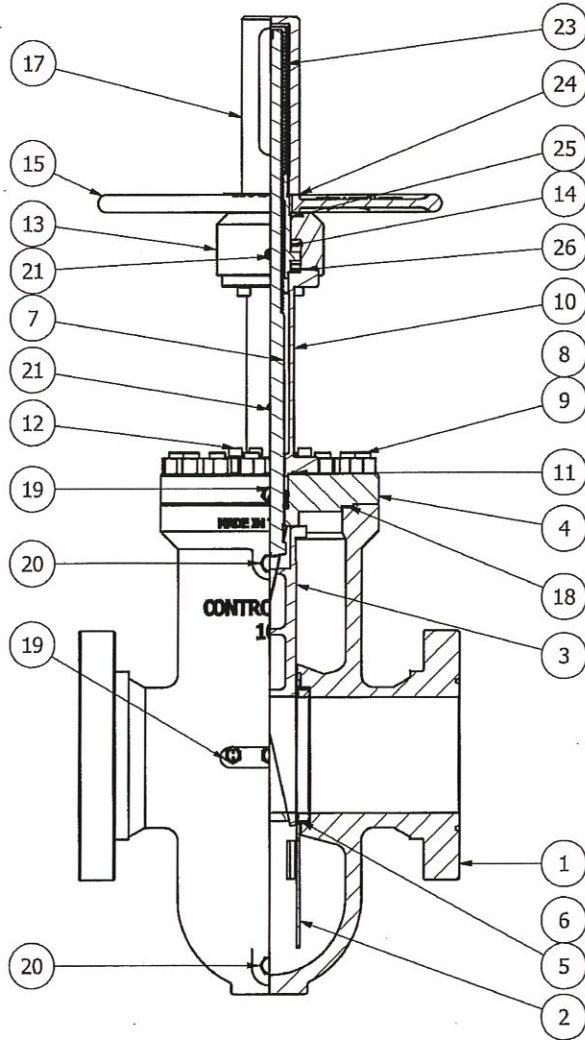
Meeting Your Pipeline and Storage Needs Worldwide
Contact a Control Flow, Inc. sales representative for further detailed information

Control Flow, Inc. • 9201 Fairbanks N. Houston Rd. • Houston, Texas 77064-6206 • Phone (281) 890-8300
Fax (281) 890-3947 • E-mail: sales@controlflow.com • Web: www.controlflow.com
Copyright Control Flow, Inc. 2018

**COMPONENT PARTS FOR TYPE "E" EXPANDING OR
TYPE "S" SOLID MANUAL PIPELINE GATE VALVES**



**CONTROL
FLOW
INC.**



Parts

1. Body	3. Gate Assembly
2. Gate Guides	4. Bonnet
5. Gate Assembly	7. Stem
6. Seat Insert/Seals	8. Studs
9. Nuts	11. Yoke Seal
10. Yoke	12. Cap Screw
13. Bearing Housing	15. Hand Wheel
14. Bearings	17. Stem Protector
18. Bonnet Gasket	20. Drain Plugs
19. Injection Ports	21. Grease Fitting
23. Stem Tube	25. Seal
24. Washers	26. Yoke Gasket

Sizes Available

Class 600	4"	6"	8"	10"
Class 900	4"	6"	8"	10"

Sizes for Future Availability

Class 600	12"	14"	16"	20"
Class 900	12"	14"	16"	20"

